



Slim-Line Airhandlers (AH-S)

Compact low profile stainless steel airhandlers

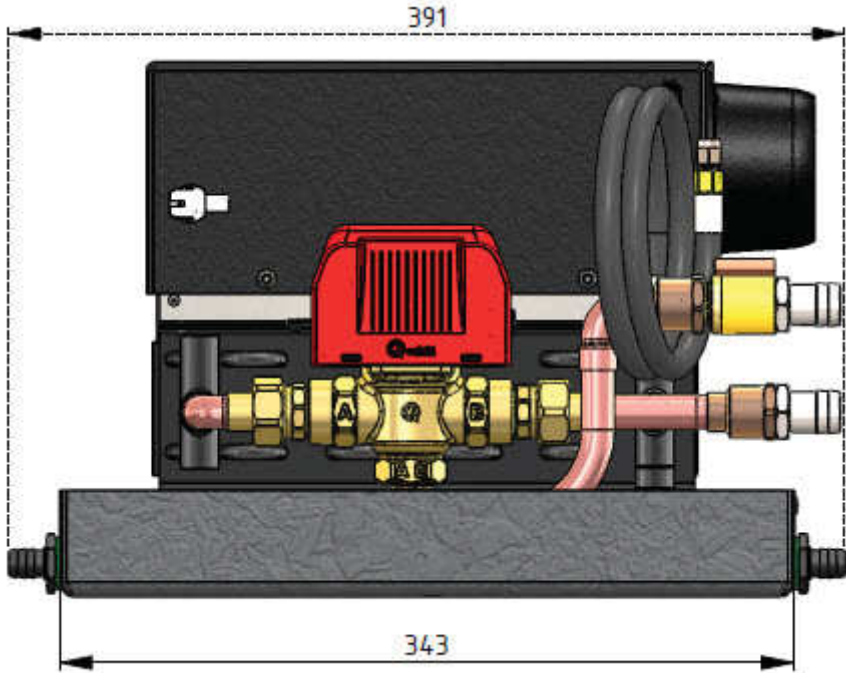
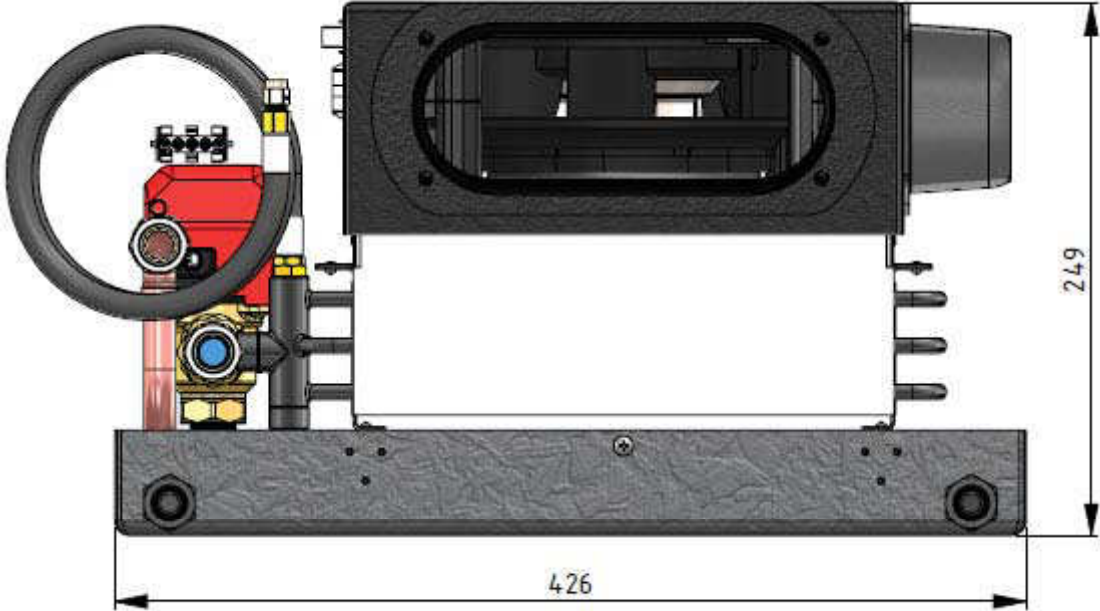
- Integrated 3-way valve for optimal temperature control
- Extremely quiet
- High performance boxblower with 0-10V speed control
- Multiple air outlets
- Stainless steel drainpan
- Return air filter

Technical Specifications

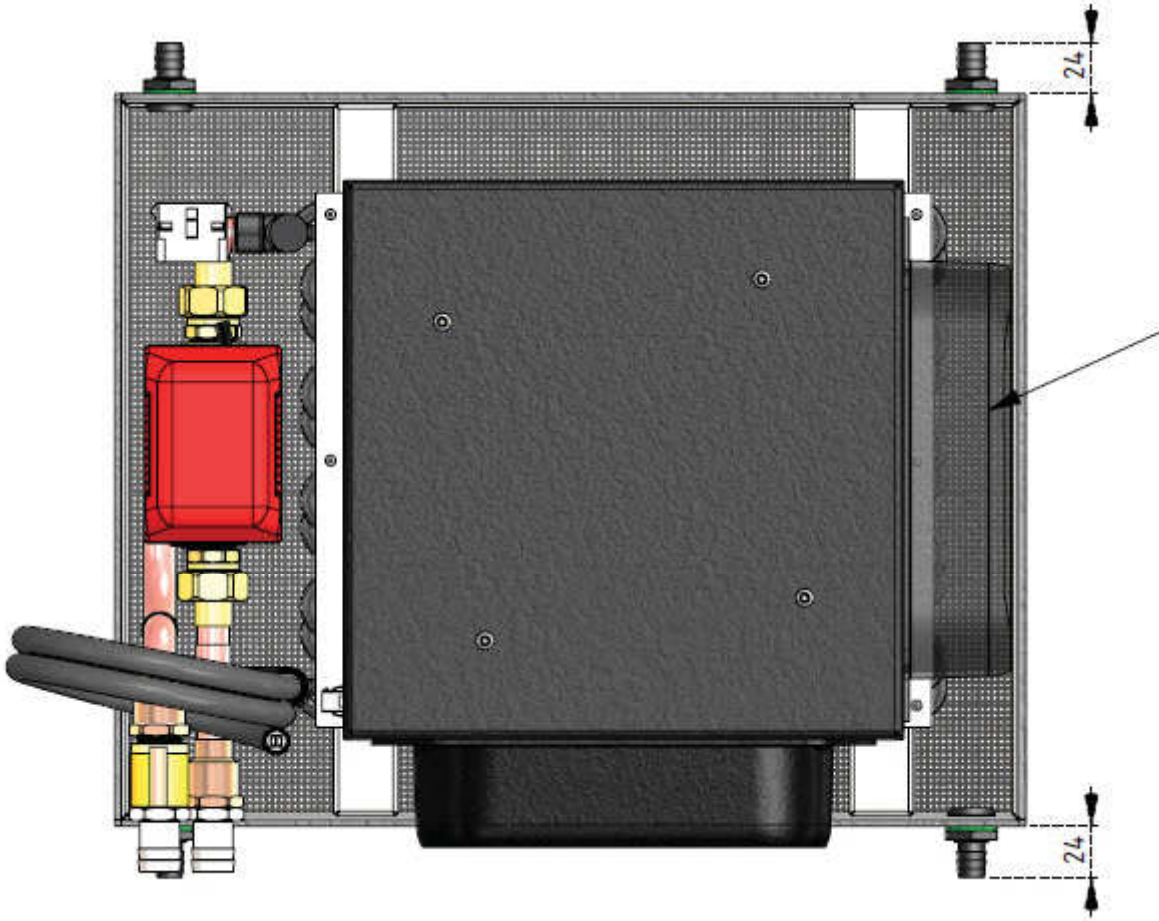
	AH-S 4.0-9.0		
Part number	CM0000113098		
Capacity (BTU/h)	4.000	6.000	9.000
Capacity (kW)	1,2	1,8	1,6
Voltage	220v/50/60Hz	220v/50/60Hz	220v/50/60Hz
Power consumption (A)	0,75	0,75	0,75
Weight (kg)	10,00	10,00	10,00
Airflow auto modus (m³/h)	180-300	180-320	220-380
Max airflow manual (m³/h)	500	500	500
Chilled water connection	1/2" 19mm	1/2" 19mm	1/2" 19mm
Return air face area (cm²)	444	519	667
Supply air face area (cm²)	222	259	333
Hose connection (inch/cm)	1x6" / 152	1x6" / 152	1x6" / 152
Dimensions (LxWxH) (mm)	426*343*249	426*343*249	426*343*249
Cable length control box	1,20m	1,20m	1,20m
Drain connection (mm)	12 (4x)	12 (4x)	12 (4x)
Chilled waterflow (l³/h)	0,5	0,5	0,5

For complete operation an airhandler, control box and display kit are required!

AH-S 4.0-9.0



AH-S 4.0-9.0



Control box AH

